



**Energy Management Centre - Kerala**

Sreekrishna Nagar, Sreekariyam.P.O, Thiruvananthapuram,  
Kerala – 695 017

Tel: +91-471-2594922, 2594924

Fax: +91-471-2594923

E-mail: [emck@keralaenergy.gov.in](mailto:emck@keralaenergy.gov.in)

Tender no: EMC/PUR/15/T-55

Notice inviting tenders

Sealed tenders are invited from reputed contractors, for Fabrication and erection of Generator shed and other structural steel works including allied civil works at the campus of Energy Management Centre, Sreekrishna Nagar, Sreekariyam. The documents can be downloaded from the EMC web site [www.keralaenergy.gov.in](http://www.keralaenergy.gov.in) from 29/09/2015, 13hrs to 05/10/2015, 12hrs. The cost of tender document shall be submitted as separate DD along with the submission of Bid. Bids without DD for tender cost will be treated incomplete tender and will not be considered for further evaluation.

Thiruvananthapuram

Director

29-09-2015

**FORM OF TENDER**

(To be submitted in Kerala State stamp paper worth Rs. 200/-)

From

To

DIRECTOR  
Energy Management Centre – Kerala  
Sreekrishna Nagar, Sreekariyam. P.O,  
Thiruvananthapuram,  
Kerala – 695 017

Sir,

Having examined the specifications and tender schedule, schedule of work and having acquired the requisite information relating to the tender in all respects, I/We \_\_\_\_\_ hereby offer to execute the work as specified in this tender at the rates mentioned in the schedule of work attached in accordance with the specifications, conditions of the tender, the articles of the agreements and such other materials as may be prescribed from time to time.

Should this tender for ..... be accepted, I/We hereby agree to abide by and fulfill the terms and provisions of the said conditions of contract annexed hereto so far as they may be applicable or in default thereof to forfeit the E.M.D. and pay the Energy Management Centre – Kerala, the amount mentioned in the said conditions.

I/we ..... have deposited a sum Rs. ..../- ( Rupees .....only) as EMD in the form of crossed demand draft in favour of the Director, Energy Management Centre – Kerala, payable at Thiruvananthapuram. Should I/we fail to execute the agreement when called upon to do so, or to commence work as provided in the conditions, I/we do hereby agree that the Energy Management Centre – Kerala shall without prejudice to any right or remedy be at liberty to forfeit the EMD absolutely and also recover from me /us the entire loss that may be caused to

Director, EMC

Contractor

the Energy Management Centre – Kerala by retender arrangement of the work otherwise, under the provisions of Revenue Recovery Act or otherwise.

I/we agree that arbitration shall not be a means of settlement of any dispute or claim arising out of this contract.

Signature of the tenderer

Full Name and address:

**Details of EMD:**

DD No \_\_\_\_\_ dt- \_\_\_\_\_ for Rs. \_\_\_\_\_ drawn on \_\_\_\_\_.

# **ENERGY MANAGEMENT CENTRE-KERALA (EMC)**

## **SREEKARIYAM, THIRUVANANTHAPURAM - 695017**

### **NOTICE INVITING TENDER**

#### **Fabrication and erection of Generator shed and other structural steel works including allied civil works at Energy Management Centre Campus**

Sealed tenders are invited from reputed manufacturers /authorised dealers/contractors having after sales support for Tender for Fabrication and Erection of Generator Shed & allied civil works as specified in the tender document.

**Tender no: EMC/PUR/15/T-55 dated 29-09-2015.**

**Name of work:** Fabrication and erection of Generator shed and other structural steel works including allied civil works.

**Scope of work:** Fabrication and erection of Generator shed and other structural steel works including allied civil works at Energy Management Centre Campus

**Location:** Energy Management Centre, Sreekariyam, Thiruvananthapuram, Kerala.

**Tender documents** can be downloaded from EMC website [www.keralaenergy.gov.in](http://www.keralaenergy.gov.in) from 29-09-2015 at 13.00 hrs to 05-10-2015 at 12.00hrs.

**Cost of tender document:** Rs.1000/- plus VAT @ 5 % to be paid as DD in favour of Director, EMC along with the submission of tender.

**Last date and time of receipt of tender:** 05-10-2015 at 15.00 hrs.

**Probable Amount of Contract:** Rs. 4,00,000/-

**EMD: Rs. 10000/-** as DD in favour of - Director, Energy Management Centre, payable at Thiruvananthapuram

**Period of completion:** One calendar month from the date of Letter of Intent (LOI)

The Tenderer shall quote the rates including all taxes and duties, levies including freight, insurance during transit and delivery at site. But the successful tenderer shall produce proof of payment of all taxes and duties.

Also sales tax and income tax clearance certificate for the last 3 financial years shall be submitted along with the tender.

Prescribed Tender documents (non-transferable) can be purchased from the office of Director, EMC, against a written request to Director, EMC,

**Further details and clarification if any can be had from The Director, Energy Management Centre (EMC), Thiruvananthapuram, website**

[www.keralaenergy.gov.in](http://www.keralaenergy.gov.in). Director, Energy Management Centre reserves the right to accept or reject any or all tenders without assigning any reasons what so ever.

Completed Tender documents shall be submitted to “The Director, Energy Management Centre, Sreekrishna Nagar, Sreekariyam, Thiruvananthapuram, Kerala, 695017 in a sealed cover superscribed “Fabrication and erection of Generator shed and other structural steel works including allied civil works at Energy Management Centre Campus” on or before **3.00 pm, 05-10-2015** and tender opening will be on: **05-10-2015, 4 pm.**

**Thiruvananthapuram**

**29-09-2015**

**Director,**

**Energy Management Centre**

**Sreekrishna Nagar, Sreekariyam,**

**Thiruvananthapuram, Kerala, PIN-695017**

## Section -1 - Instructions and General Conditions

### 1. Submission of tender

Tender shall be submitted in sealed covers super scribing the name of the tender as ‘Tender No. EMC/PUR/15/T-55 “Tender for Fabrication and erection of Generator shed and other structural steel works including allied civil works at Energy Management Centre Campus” and shall contain the following.

- (a) Complete set of Tender documents as issued by EMC, together with addenda/corrigenda if any, filled in and signed by the tenderer, with address stamps/seals wherever stipulated.
- (b) Earnest money deposit of Rs. 10000/- (Rupees Ten thousand only) in the form of crossed demand draft drawn in favour of The Director, Energy Management Centre, Thiruvananthapuram payable at Thiruvananthapuram.

The offer shall be valid for a period of 60 days from the date of opening of the tender. Tender not accompanied by Demand Drafts for Cost of tender and E.M.D. shall be rejected as non-responsive.

### 2. Acceptance / Rejection of tenders

The tenders submitted after the stipulated time of submission shall be rejected. The tenders not submitted in the prescribed forms, not duly signed at the places marked, incomplete/torn off tender forms etc. shall be rejected. The Director, Energy Management Centre, reserves the right to accept or reject any of the tenders without assigning any reasons thereof. Becoming the lowest offered party does not entitle a tender to award the work. Apart from cost, quality of work, durability, track record of the supplier etc. will also be considered for awarding the supply.

### 3. Place of work and time of completion.

The scope of the work covered by this tender is limited to Fabrication and erection of Generator shed and other structural steel works including allied civil works at Energy Management Centre as per the specifications in BOQ and approved samples if any. EMC will only provide the location ready. The successful tenderer shall submit a schedule of completion of works, showing the details, along with the agreement. Time of completion & quality of the works are the essences of this tender. The works covered by this

tender shall be completed in all respects within 30 days from the date of award of the work. The tenderer is advised to visit the site before quoting for the work.

4. Guarantee period.

The works done vide this tender shall be guaranteed for a defect liability for a period of one year from the date of completion of the work. The item shall be guaranteed against usage of inferior quality of materials and poor workmanship. Any defects found during this period shall be rectified/replaced by the contractor free of charges to the EMC within a reasonable period of 10 days after written notice. If the contractor fails to do so, EMC shall have the liberty to arrange rectification at the risk & cost of the supplier, and adjusting the expenses from the security deposit for the work.

5. Agreement for the work.

Within 10 days of receipt of the letter of award, the supplier has to execute an agreement with EMC for the due fulfillment of the contract in the prescribed format, along with a security deposit of 5% of the contract value in the form of Demand Draft, in favour of the Director, Energy Management Centre, payable at Trivandrum or by way of Bank Guarantee from any Nationalized bank in the approved format. The EMD submitted by all the tenders will be released upon executing the agreement by the successful tenderer. The security deposit vide this clause will be released after successful compliance to the tender conditions, and on certification of the representative of EMC and/or Project consultant appointed by EMC for managing the project.

6. Withdrawals of the offer after it is accepted or failure to arrange the work within a specified time or according to specifications will entail cancellation of the order and work being made at the offers expenses from elsewhere, any loss incurred thereby being payable by the defaulting party. In such an event EMC reserve the right to remove the defaulter's name from the list of EMC's vendors list and to report to the Government for blacklisting the tenderer in Government works permanently or for a specified number of years.

7. The rates quoted shall be firm for a period of 60 days from the date of opening of the tender. Rates offered shall be inclusive of all taxes & duties in force. The quantities mentioned in the schedule of works are tentative, and payments will be made on actual quantities. No claim, whatsoever, will be entertained due to variation of quantities, or any other reasons. No representation for enhancement of price will be considered during the

currency of the contract, or after the completion.

8. Any attempt on the part of tenderers or their agents to influence the officers concerned into their favour by personal canvassing will disqualify the tender.

9. Payment terms

a. 95 % payment cost as per agreed rates shall be made on successful completion of the work, upon certification of the Engineer-in-charge.

b. 5% payment shall be retained from the bill as part of the security deposit/retention money. The security deposit, along with the amount deposited at the time of executing the agreement will be released on successful completion of the guarantee period, after adjusting liabilities, if any, upon certification of the Engineer-in-charge.

10. Commercial.

(i) Rates quoted shall be inclusive of all taxes, duties and Levis currently in force, and shall be firm during the course of the work. Escalation, on any ground, shall not be considered during the course of work or after the completion.

(ii) Extra items, if found essential during the course of work, shall be executed on mutually agreed rates.

(iii) Quantities mentioned in the schedule of works are approximate. The contractor shall effect the work as per actual site measurements and no claim for variation in rates shall be considered due to variation in quantities.

(iv) Measurement of the work shall be made as per Indian standards, upon acceptance of the work. No wastage will be considered in measurements. Rates offered shall be inclusive of provisions for wastage also.

(v) Adequate security provisions shall be arranged by the contractor, and EMC shall not have any responsibilities for the safety of men and materials involved in the work during the course of the work. Power, water and amenities to labour shall be in the account of the contractor.

(vi) As part of tender scope, contractor shall adopt appropriate safety & security measures at site of works by means of implementing proper methodology and arrangements made by the contractor and such methodology is strictly complied by his site team until the completed works are taken over by the Employer.

(vii) All the labourers working for the contractor shall be sufficiently insured against accidents at the work site



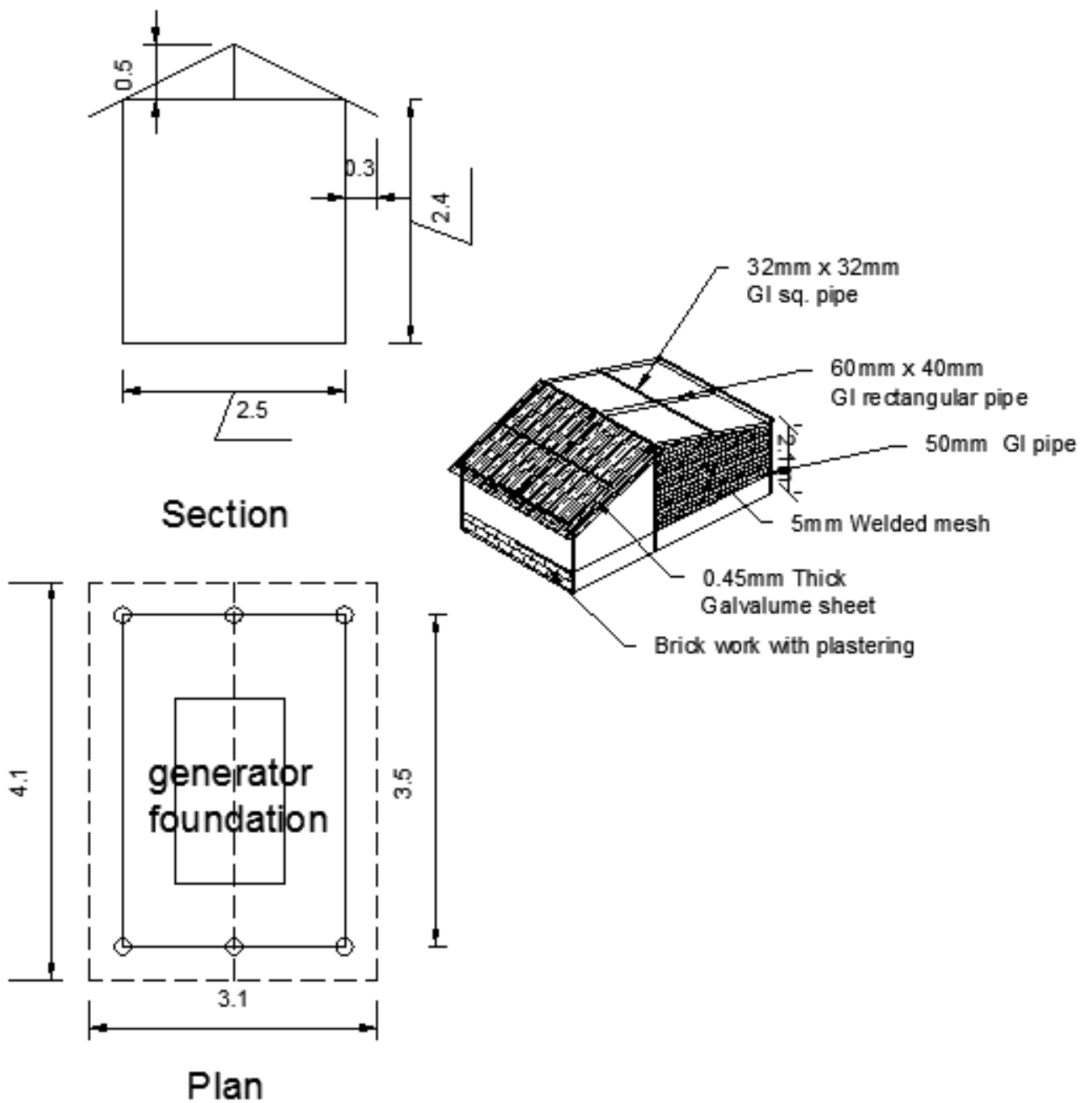
## **SECTION – 2 - TECHNICAL SPECIFICATION**

### ***1.0 SCOPE***

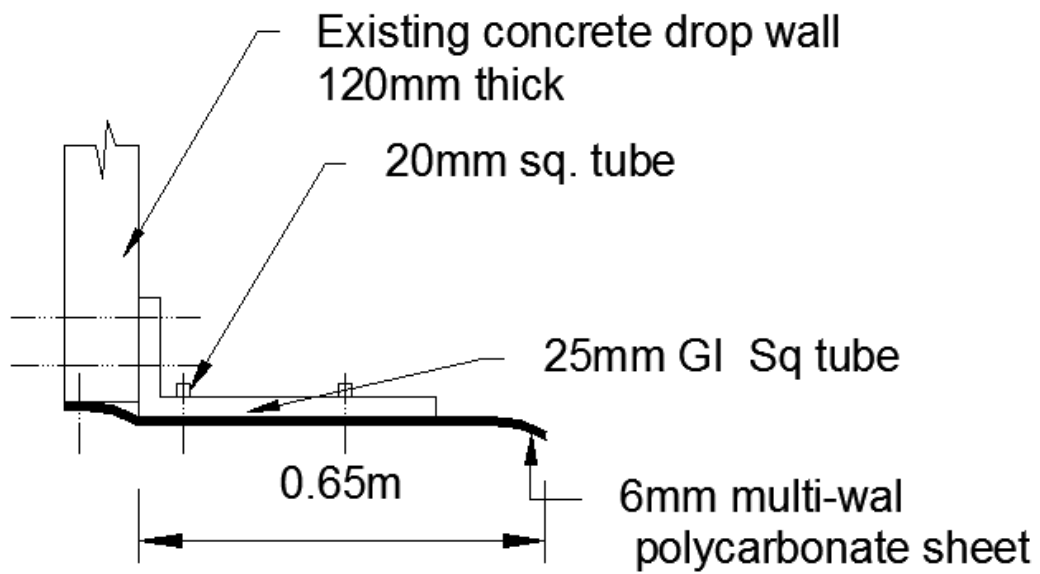
1. Fabrication and erection of Generator shed frame works using GI tubes and 0.45mm thick GI corrugated Sheets, fixing it with galvanised self drilling screws, including all purlin, rafters and trusses and supports.
2. Fabrication and erection of 0.65m wide chajja/ weather shade with Polycarbonate sheets and GI frame, inside court yard of Energy Management Institute building
3. Fixing of 1 No 2HP mono block pump set for water tank with necessary connection arrangement to existing UPVC plumbing line & Fabrication of steel door for pump house
4. Supply and erection of 3 Nos aluminium 600 mm dia turbovent at suitable places including its fixing the same with necessary provision for ceiling after cutting open existing Concrete wall/roof
5. Allied civil works in connection with structural work of shed, concreting of floor, masonry work side walls, foundation of generator, posts, etc

## 2.0 Drawings

### a. GENERATOR SHED - LAYOUT



b. WEATHER SHADE DETAILS



Weather shade- Details

**Section -3 - Schedule of works:**

**Name of work: Fabrication and erection of Generator shed and other structural steel works including allied civil works at EMC Campus**

***SPECIFICATION FOR WORK***

<b>SI No</b>	<b>Description</b>	<b>Quantity</b>	<b>Unit</b>	<b>Rate</b>	<b>Amount</b>
1.	Supply, fabrication and erection of GI sheet Gabled roofing for Generator Shed of size 2.5m x 3.5m as per directions of Engineer in charge, with 30 cm external projections and 0.5m Pitch from wall height of 2.2m  Materials to be used shall be Vertical Posts - 50mm B class GI pipe Main rafter 60 x 40 mm 16 gauge Purlins 32mm 16 gauge GI square tube Roofing sheets 0.45mm corrugated Galvalume sheet fixed with self drilling screws. Measurements will be in terms of covered plan area. Work include applying one coat epoxy primer and two coat synthetic enamel paint over all GI surfaces etc, all labour, material, transportation to complete	12	m <sup>2</sup>		
2.	Supply and erection of 5mm weld mesh of opening size 50mm x 50mm with horizontal supports 25mm x 25mm 16 gauge GI square tube at 0.75m spacing all material	22	m <sup>2</sup>		
3.	Supplying and erecting Metal door/gate (size 1.25m x 2.1m) using 32x32mm 16gauge GI rectangular tube -10m, 25x25mm 16gauge tube 10m, 18 gauge GI sheet 1sq.m, with necessary locking arrangements one coat primer and two coat enamel paint etc complete for pump room	1	No		
4.	Supplying and fixing hand rails 4.6m long using 32mm dia B class GI pipe balustrade and top rail, 20mm B class pipe for bracing bars 3 numbers & verticals at 1m c/c using 32mm dia pipe. Handrail will be measured for the plan length.	4.6	m		
5.	Providing & fixing 24" dia Wind Driven Turbo Ventilator system in Aluminium along with FRP Base Plate of Approved make & type with all fittings, nuts, bolts, etc. including FRP base sheet as required of approved colour. shape & size including cutting of Concrete roof/ wall for fixing the Base to required size & length, lap, scaffolding, staging, sealing with suitable sealants, etc inclusive as per instructions of Engineer in Charge.	3	Nos		

6.	<p>Providing &amp; fixing weather shade- 0.65m wide, 120m long using 6mm thk multi wall Polycarbonate Roofing Sheet with Top and Bottom Aluminium flat Section beading fixed with self tapping screws to GI hollow sections of 25mm @1m c/c on at chajja/vertical drops, of required length anti leakage washers with including hardware G.I bolts &amp; nuts, G.I plain &amp; bitumen washers, making waterproof all labour, materials, carting, wastage etc. all inclusive</p> <p>Item covers installation with necessary making of GI frame structure, fabrication, sealing with suitable sealants, scaffolding &amp; staging for works, etc complete as directed by Engineer in charge.</p>	80	m <sup>2</sup>		
7.	<p>Supply &amp; erection of GI flag hoisting pole with necessary specials and fixtures to enable smooth hoisting and tying of flag. The height of the erected pole shall be 4m above ground level with structure made of 50mm &amp; 32mm B class GI pipe, cutting fabrication and fixing on platform, coating with zinc chromate primer, 2 coat enamel paint, labour &amp; material all inclusive</p>	1	Nos		
8.	<p>Fixing of 1 No 2HP mono block pump set for water tank with necessary connection arrangement to existing UPVC plumbing line in the pump house, all fixtures and plumbing materials, tool &amp; machinery, material and labour all inclusive</p>	1	No		
9.	<p>Earth work excavation in hard soil and depositing on bank /backfilling with initial lead up to 50m and lift up to 1.5m including breaking clods watering, ramming and sectioning of soil bank, etc. complete.</p>	2.5	m <sup>3</sup>		
10.	<p>Providing and laying P.C.C 1:4:8 using 40mm (nominal size) broke stone under foundation of walls and columns including providing necessary form work, scaffolding, curing etc. complete.</p>	2	m <sup>3</sup>		
11.	<p>Providing and constructing cement concrete solid block masonry work at all levels in cement mortar 1:4 using standard size of 400 x 200 x 100mm of solid cement concrete blocks, with minimum compressive strength of 50 kg/Sq.mm. conforming to IS 2185 including all scaffolding, staging, curing, all lifts etc. complete and as directed.</p>	8	m <sup>2</sup>		
12.	<p>Providing and constructing random rubble masonry with good quality rubble brought from outside, in CM 1:5 including dressing/breaking to required size, all materials, machinery, labour, scaffolding, cleaning, curing, lead, lift etc., for masonry foundation, etc. complete at all levels, as per</p>	2.5	m <sup>3</sup>		

	drawings or as directed by the Engineer-in-charge				
13.	Providing and laying Plain cement concrete M 20 grade using coarse graded aggregate of 20 mm and down size , at all levels and placing the concrete to all levels, curing, including form work, scaffolding, fixing of insert plates, etc for generator Foundation, all material, labour curing etc, complete as directed	1	m <sup>3</sup>		
14.	Plastering for external surfaces with a coat of 12 mm thick in C.M 1:4 and clearing of loose particles with sponge finish (washed sand finish) as per specification and as directed, with a neat floating coat of cement for smooth finish according to the specification. The rate shall include necessary scaffolding, form work and curing etc. complete all as directed.	20	m <sup>2</sup>		
15.	Painting with acrylic emulsion paint for walls Rate inclusive of one coat of cement based primer, and Painting two coats with ready mixed Plastic Emulsion Paint. Rate shall include for preparation of base surface free from any loose paint, dust or grease, any previous growth of fungus, algae or moss needs to be removed thoroughly by vigorous wire brushing and cleaning with water, necessary scaffolding material and labour etc complete all as directed	16	m <sup>2</sup>		
	Total Amount				

**Undertaking:**

I/we hereby agree to execute the above works at the quoted rates, in accordance with the terms and conditions of the tender. Should I/we fail to execute the agreement, or execute the work after the work is awarded, I/we have no objection in EMC forfeiting the EMD remitted for the work by me/us.

Place:

Signature:

Date:

Name & address of the tenderer: